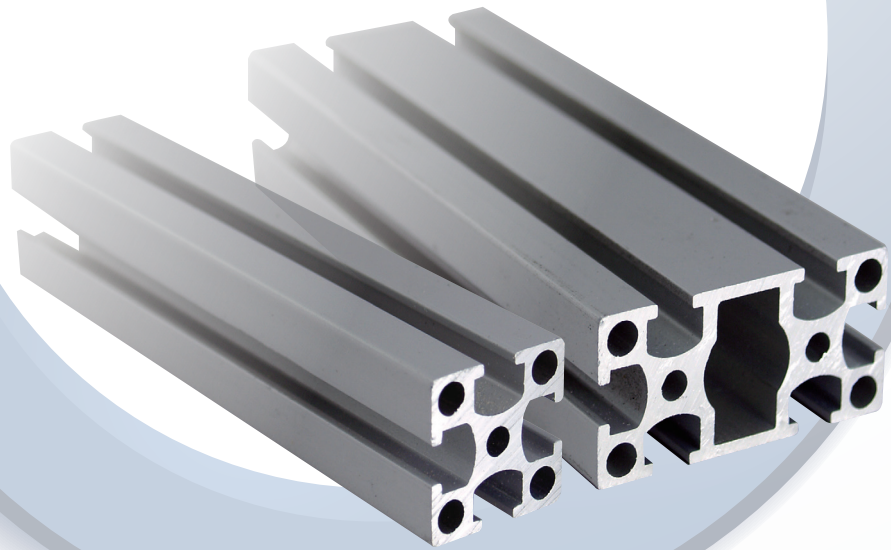


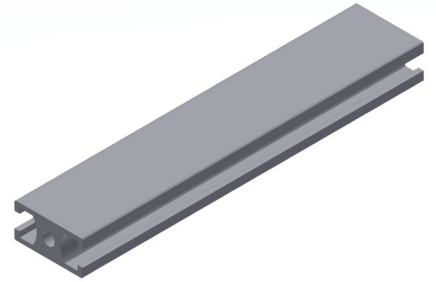
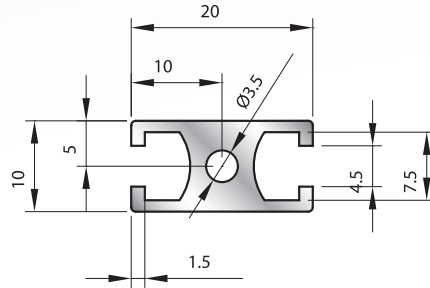
## 4 series

Aluminum extrusion / Accessories



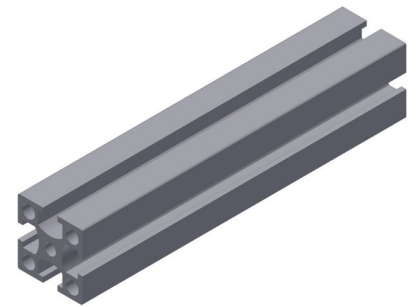
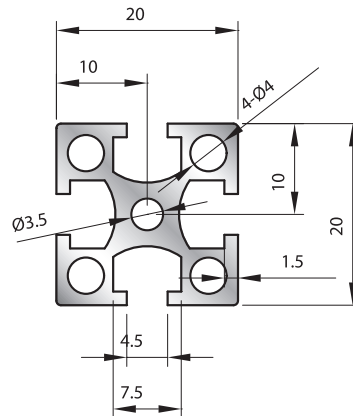
## AF1020

**Description:** Aluminum extrusion  
**Material:** A6N01S-T5  
**Finishing:** AF1020 ED / AF1020W Anode  
 / AF1020B Black anodized  
 (custom-made)  
**Weight:** 0.31KG/M  
**Spec.:** 6M/piece  
**Application:** Light load structure



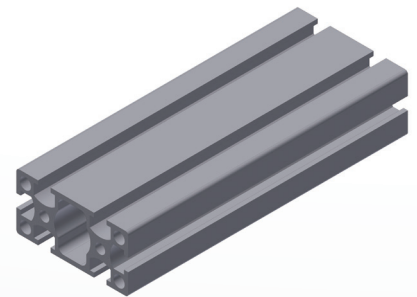
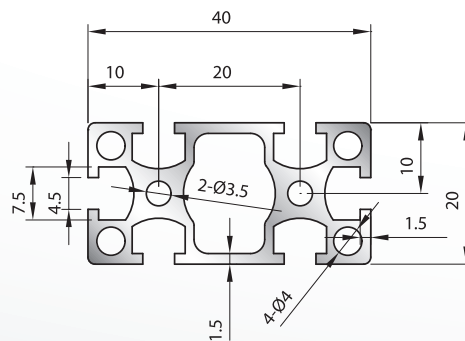
## AF2020

**Description:** Aluminum extrusion  
**Material:** A6N01S-T5  
**Finishing:** AF2020 ED / AF2020W Anode /  
 AF2020B Black anodized  
 (custom-made)  
**Weight:** 0.49KG/M  
**Spec.:** 6M/piece  
**Application:** Light load structure



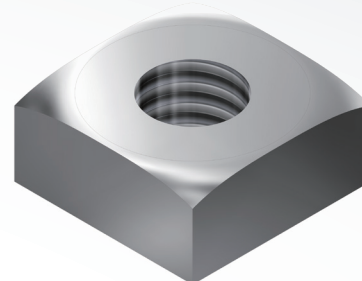
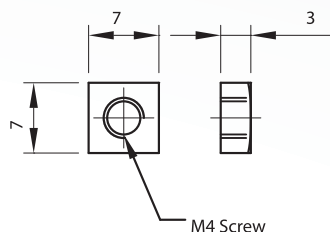
## AF2040

**Description:** Aluminum extrusion  
**Material:** A6N01S-T5  
**Finishing:** AF2040 ED / AF2040W Anode /  
 AF2040B Black anodized  
 (custom-made)  
**Weight:** 0.84KG/M  
**Spec.:** 6M/piece  
**Application:** Light load structure



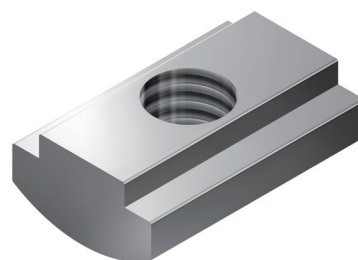
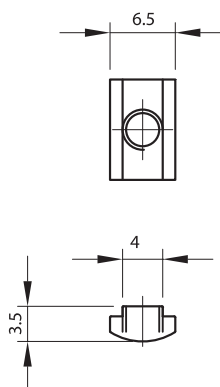
### NO4M4

**Name :** Square Nuts  
**Material :** SS41  
**Finishing :** Nickel-plated  
**Weight :** 0.9g  
**Application :** 4 series pre-insertion nuts



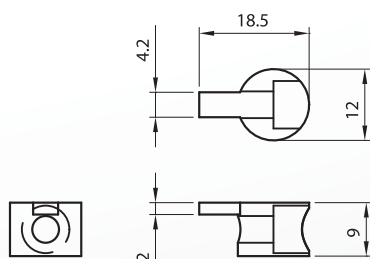
### ND4M4

**Name :** Half round nuts  
**Material :** SS41  
**Finishing :** Nickel-plated  
**Weight :** 0.8g  
**Application :** 4 series half round nuts



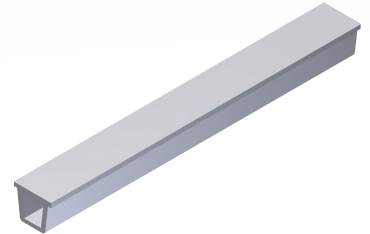
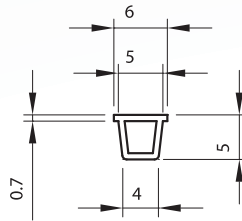
### EUJ0412

**Name :** Blind insertion joint  
**Material :** ADC12  
**Finishing :** EUJ0412 Polishing /  
 EUJ0412B Black(EDP)  
**Weight :** 4g  
**Application :** 4 series blind insertion joint



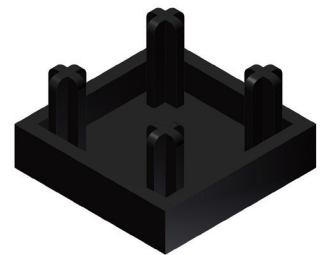
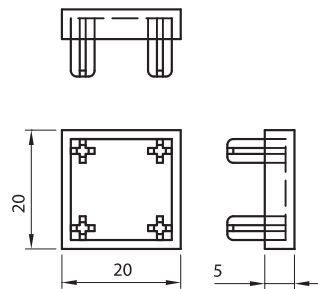
## EC4S

**Name:** Soft Strip  
**Material:** Rubber  
**Finishing:** EC4S White / EC4SB Black  
**Weight:** 16.5g/M  
**Application:** 4 series soft rubber Strip



## EC2020

**Name:** Cover  
**Material:** Nylon  
**Finishing:** Black  
**Weight:** 1g  
**Application:** 4 series end cap



## EC2040

**Name:** Cover  
**Material:** Nylon  
**Finishing:** Black  
**Weight:** 2g  
**Application:** 4 series end cap

